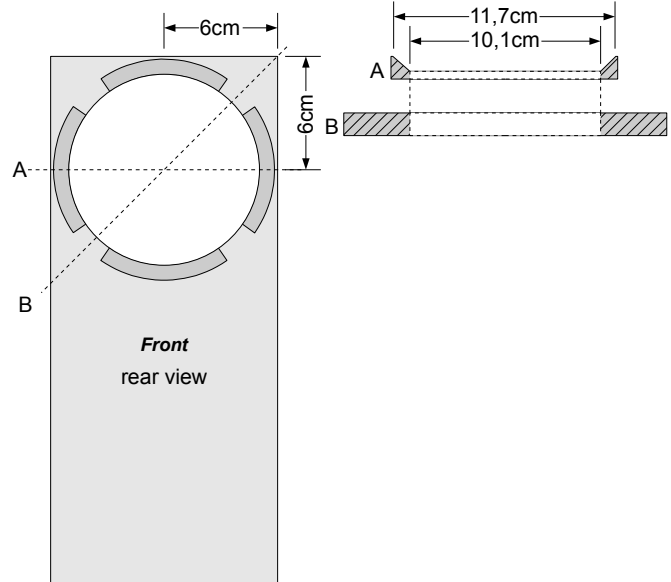
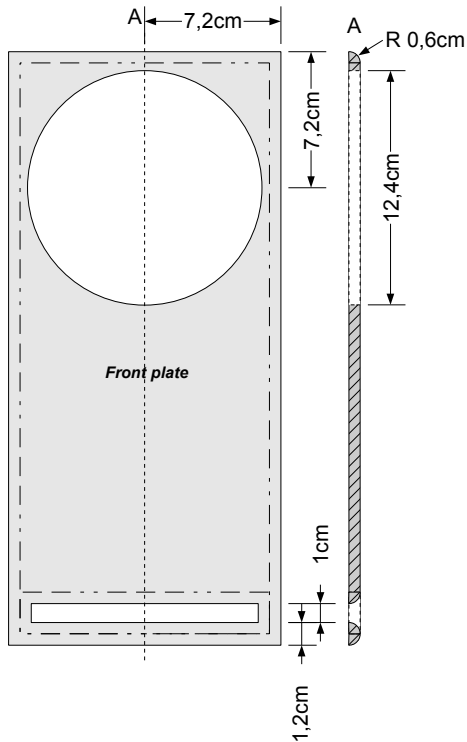
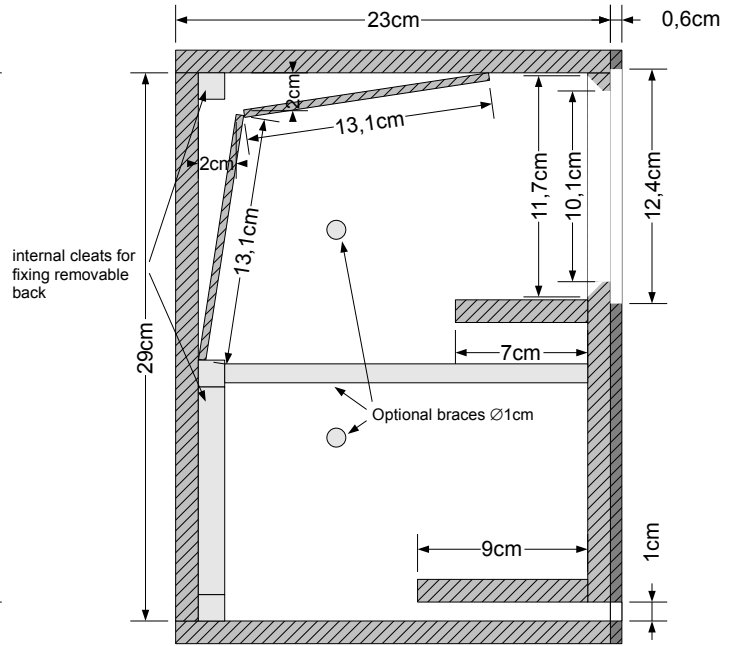
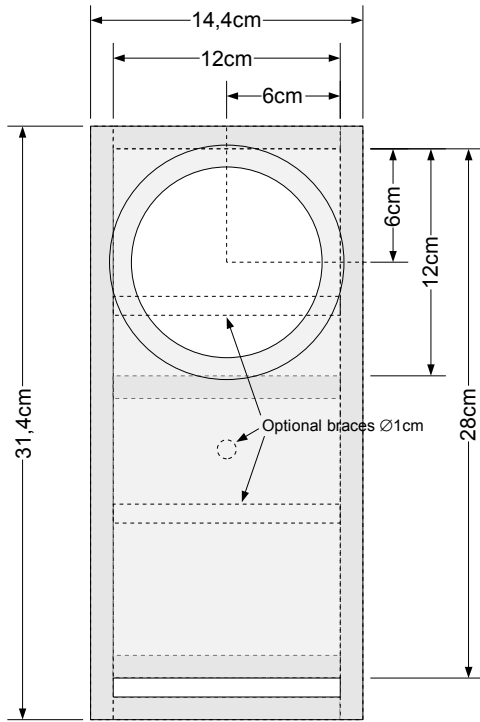


ShoeBox-70.3:

Design by: Andreas Busse
 Type: Bass Reflex
 Driver: CHR-70.3
 Net volume: ca. 6.75l
 Acoustic volume: ca. 7l
 Fb: 59Hz



- Drawing uses 12mm material. Quality multi-ply recommended.
 Front plate uses 6mm material.
 Sandwich inclosure uses 4mm material.
- 1) cover walls with TYROFOAM 10.0 mm
 - 2) stuff with SONOFIL
 - 3) fill quarz sand in the sandwich hollow space
 - 4) try a simple filter (0,39mH || 4Ω) in series